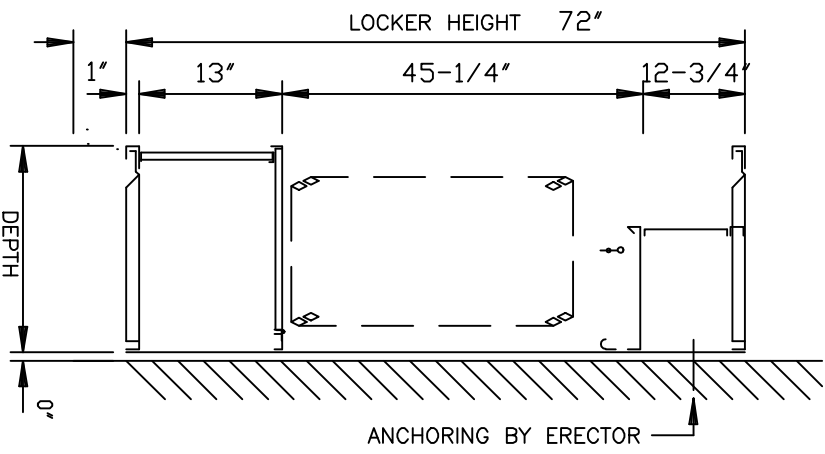


FRONT ELEVATION

ALL WELDED MVP (OPEN FRONT LOCKER)
WITH UPPER LOCKING COMPARTMENT & FOOTLOCKER



SECTION

ANCHORING BY ERECTOR