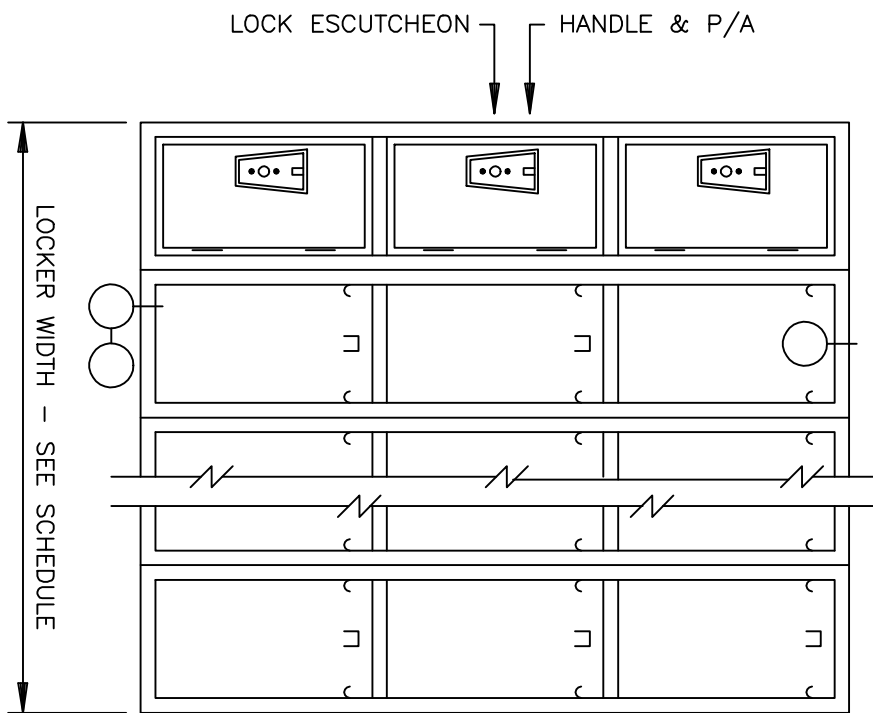


HEAVY DUTY CORRIDOR LOCKER - _____" TRIPLE TIER

FRONT ELEVATION



SR SECTIONS
SR BACK TO BACK

